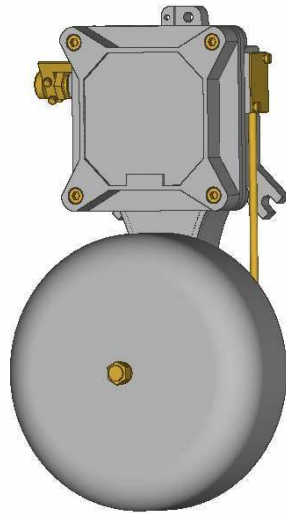


SINGLE STRIKING BELL

KBA- 013



KBA-013..



IM2
II 2G
Ex d IIB T6
KDB 05ATEX 428X

Characteristic:

Single-striking bell is suitable to transmitting acoustic warning signals in areas of explosion hazard , spaces of mechanical hazard and without secure from atmospheric influences.

Types of single-striking bells KBA-013.. are assigned for working in low voltage to 230V; 50 Hz or to 220V DC

Accordance with standards:

Signal transmitter meet requirements of standards referenced with 94/9/WE Instruction of European Union:

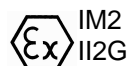
- PN-EN 60079-0: 2006(U)
- PN-EN 60079-1: 2004(U)

Using conditions:

Single-striking bell type KBA-013.. are adapted for working in: underground and superficial mining's with methane or/ and carbon dust explosion hazard and in rooms and outer spaces / areas with gases and vapour explosion hazard-class IIB.

Devices guarantee high degree of protection accordance with designation.

- Types compatible with Table 2



IM2
II2G

and accordance with PN-EN 60079-0: 2006(U) standard, marked with the symbol

ExdI/IIBT6

Special using conditions in rooms with explosion hazard

Single-striking bell type KBA-013.. marked with the symbol: Exd/IIBT6 can be used in methane fields of mining's of "a","b", "c" methane explosion or "A" or "B" class explosive conditions of coal dust and can be installed in rooms and outer spaces / areas impending of 1 and / or 2 zones gases and vapour with air (II B, temperature T6 class) explosion


Technical data:

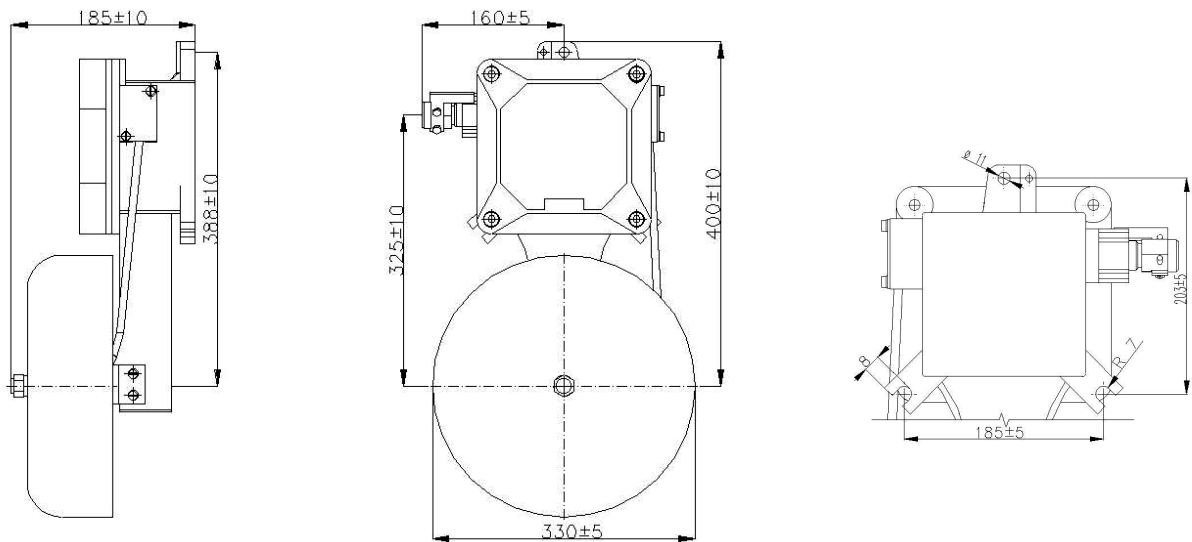
Working voltage: 12V to 220V DC
12V to 230V AC
Current: 0,10A to 1,05A DC
0,20A to 1,50A AC
Level of loudness: > 90 dB
Degree of protection: IP54
Clamps for connecting conduits: to 2,5 mm²
Ambient temperature: -20°C to +40°C
Relative humidity: to 95%
Position of work: vertical (to bottom bowl)
Diameter of insert cable: Table 1
Weight: ~ 22kg

Tablica 1	
Insert cable key KVC-02	
Inside seal diameter Ø [mm]	Diameter of insert cable Ø [mm]
8	6 ÷ 8
12	10 ÷ 12

Types:

Types of single-striking bell Table 2.

Table 2					
Single-striking bell	Rated voltage [V]	Rated current [A]	Kind of current	Coil designation	Designation
KBA-01312	10	0,90	DC	KBW-1101	
KBA-01313	12	0,50		KBW-1102/1	
KBA-01314	24	0,25		KBW-1102/1	
KBA-01315	60	0,16		KBW-1107	
KBA-01316	42	0,25		KBW-1105	
KBA-01318	110	0,09		KBW-1103	
KBA-01319	220	0,05		KBW-1103	
KBA-01323	24	1,5	AC	KBW-1104/1	
KBA-01324	42	0,65		KBW-1104/1	
KBA-01326	60	0,50		KBW-1106/2	
KBA-01327	127	0,26		KBW-1106/2	
KBA-01328	110	0,25		KBW-1106/1	
KBA-01329	230	0,20		KBW-1102	



OVERALL DIMENSIONS