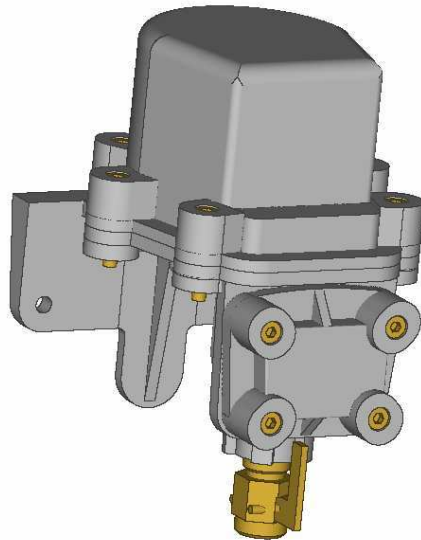



ELECTRIC HOWLER KBB - 052



KBB-052...
 I M2
II 2G
Ex d I/IIB T6
KDB 05ATEX 305X

Characteristic:

Electric howler with flame-proof housing type KBB-052... are purposed for working in signalling circuits to transmitting acoustic warning signals. All types of KBB-05... are assigned for working in low voltage from 12V to 230V AC and from 12V to 220V DC electric circuits.

Accordance with standards:

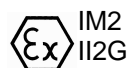
Signal transmitter meet requirements of standards referenced with 94/9/WE Instruction of European Union:

- PN-EN 60079-0: 2006(U)
- PN-EN 60079-1: 2004(U)

Using conditions:

Electric howler type KBB-052... are adapted for working in:
underground and superficial minings with methane or / and carbon dust explosion hazard and in rooms and outer spaces / areas with gases and vapour explosion hazard- class IIB. Devices guarantee high degree of protection accordance with designation

- Types compatible with Table 2



and accordance with PN-EN 60079-0: 2006(U) standard, marked with the symbol:

ExdI/IIBT6

Special using conditions in rooms with explosion hazard:

Electric howler type KBB-052... marked with the symbol: EExdI/IIBT6 can be used in flame-proof electric circuits in methane fields of minings, of "a", "b" and "c" methane explosion or "A" or "B" class explosive conditions of coal dust and can be installed in rooms and outer spaces / areas impending of 1 and / or 2 zones gases and vapour with air (II B, temperature T6 class) explosion.

Technical data:

Working voltage: from 12V to 220V DC
from 12V to 230V AC

Level of loudness: > 90 dB

Degree of protection: IP55

Clamps for connecting conduits: to 2,5 mm²

Ambient temperature: -20°C to +40°C

Relative humidity: to 95%

Position of work: vertical (terminal chamber down)

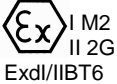
Diameter of insert cable: Table 1

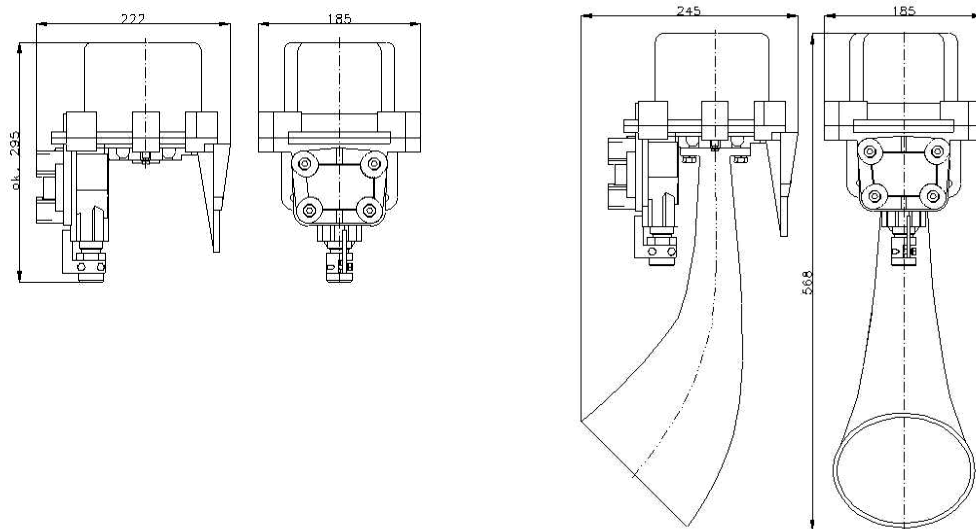
Weight: with a tube 16 kg
without a tube 11 kg

Table 1	
Insert cable KVC-012 for KBB-052..2	
Inside seal diameter Ø [mm]	Diameter of insert cable Ø [mm]
8	6 ÷ 8
12	10 ÷ 12
Insert cable KVC-02 for KBB-052..1	
Inside seal diameter Ø [mm]	Diameter of insert cable Ø [mm]
12	10÷12
16	14÷16
20	18÷20

Types:

Types of electric howlers.

Table 2						
Electric howler with a insert cable key KVC-02	Electric howler without a insert cable key KVC-02	Electric howler with a insert cable key KVC-012	Electric howler without a insert cable key KVC-012	Rated voltage [V]	Kind of current	Designation
KBB-052011	KBB-052211	KBB-052012	KBB-052212	12	AC	
KBB-052021	KBB-052221	KBB-052022	KBB-052222	24		
KBB-052031	KBB-052231	KBB-052032	KBB-052232	42		
KBB-052041	KBB-052241	KBB-052042	KBB-052242	60		
KBB-052051	KBB-052251	KBB-052052	KBB-052252	110		
KBB-052061	KBB-052261	KBB-052062	KBB-052262	127		
KBB-052071	KBB-052271	KBB-052072	KBB-052272	230		
KBB-052111	KBB-052311	KBB-052112	KBB-052312	12	DC	
KBB-052121	KBB-052321	KBB-052122	KBB-052322	24		
KBB-052131	KBB-052331	KBB-052132	KBB-052332	42		
KBB-052141	KBB-052341	KBB-052142	KBB-052342	60		
KBB-052151	KBB-052351	KBB-052152	KBB-052352	127		
KBB-052171	KBB-052371	KBB-052172	KBB-052372	220		



Dimension