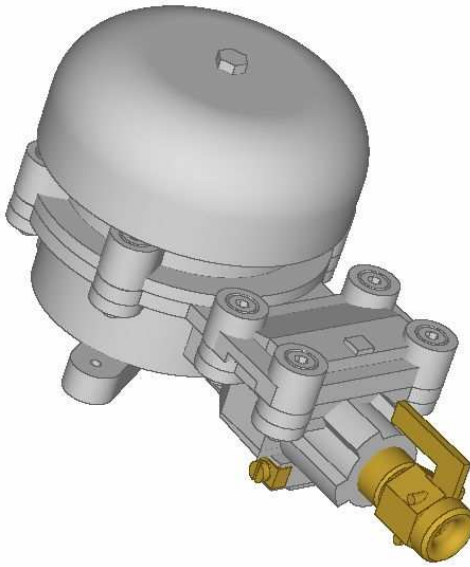



RATTLE BELL KBC - 02



KBC-02...
 I M2
II 2G
Ex d I/IIB T6
KDB 05ATEX 142X

Characteristic:

Rattle bell is suitable to transmitting acoustic warning signals in areas of explosion hazard, spaces of mechanical hazard and without secure from atmospheric influences. Types of ratchet bells type KBC-022.. i KBC-023.. need power supply 240V;50 Hz or 220V DC

Accordance with standards:

Signal transmitter meet requirements of standards referenced with 94/9/WE Instruction of European Union:

- PN-EN 60079-0: 2006(U)
- PN-EN 60079-1: 2004(U)

Using conditions:

Rattle bell type KBC-02 is adapted for working in: underground and superficial mining's where methane or/ and carbon dust explosion hazard is and in rooms and outer spaces / areas with gases and vapour explosion hazard-class IIB. Devices guarantee high degree of protection accordance with designation.

Devices guarantee high degree of protection accordance with designation:

- Types compatible with Table 2

 IM2
II2G

and accordance with PN-EN 60079-0: 2006(U) standard, marked with the symbol

ExdI/IIBT6

Special using conditions in rooms with explosion hazard:

Rattle bell type KBC-02.... marked with the symbol: EExd/IIBT6 of "a", "b", "c" methane explosion or "A" or "B" class explosive conditions of coal dust and can be installed in rooms and outer spaces / areas to come among of 1 and / or 2 zones gases and vapour with air (II B, temperature T6 class) explosion.

Technical data:

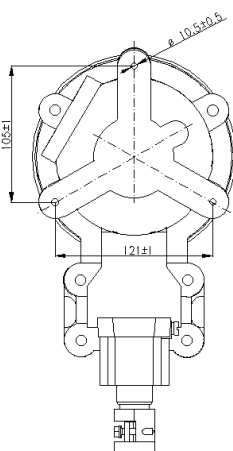
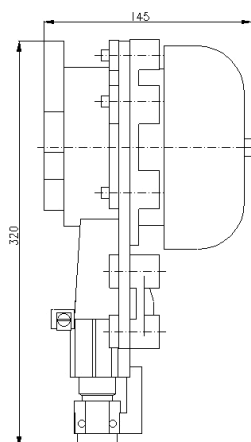
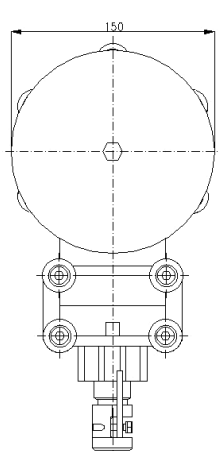
Working voltage: 12V to 220V DC
12V to 240V AC
Current: 0,05 to 0,9 A DC
0,08 to 1,1A AC
Level of loudness: > 90 dB
Degree of protection: IP54
Clamps for connecting conduits: to 2,5 mm²
Ambient temperature: -20°C to +40°C
Relative humidity: to 95%
Diameter of insert cable: Table 1
Weight: KBC-022... 6,5 kg
KBC-023... 7 kg

Table 1	
Insert cable KVC-012 for KBC-023...	
Inside seal diameter Ø [mm]	Diameter of insert cable Ø [mm]
8	6 ÷ 8
12	10 ÷ 12
Insert cable KVC-02 for KBC-022...	
Inside seal diameter Ø [mm]	Diameter of insert cable Ø [mm]
12	10 ÷ 12
16	14 ÷ 16
20	18 ÷ 20

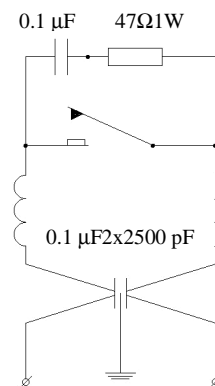
Types:

Types of rattle bell (Table 2).

Table 2							
Variations		Rated voltage [V]	Current max. [A]	Kind of current	Coil designation	Designation	
Insert cable key KVC-02	Insert cable key KVC-012						
KBC-022103	KBC-023103	12	0,88	DC	KBW-2211	Ex I M2 II 2G Exd/IIBT6	
KBC-022104	KBC-023104	24	0,33		KBW-2212		
KBC-022105	KBC-023105	42	0,25		KBW-2213		
KBC-022106	KBC-023106	60	0,24		KBW-2214		
KBC-022107	KBC-023107	110	0,11		KBW-2215		
KBC-022108	KBC-023108	127	0,08		KBW-2216		
KBC-022109	KBC-023109	220	0,05		KBW-2217		
KBC-022203	KBC-023203	12	1,1		AC		KBW-2218
KBC-022204	KBC-023204	24	0,6				KBW-2219
KBC-022205	KBC-023205	42	0,3	KBW-2220			
KBC-022207	KBC-023207	60	0,23	KBW-2222			
KBC-022208	KBC-023208	100	0,18	KBW-2223			
KBC-022209	KBC-023209	110	0,15	KBW-2224			
KBC-022210	KBC-023210	127	0,12	KBW-2225			
KBC-022211	KBC-023211	230	0,09	KBW-2226			
KBC-022212	KBC-023212	240	0,08	KBW-2227			



DIMENSION



CIRCUIT DIAGRAM