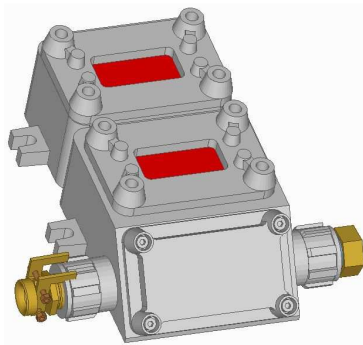


LIGHTNING PANEL

KDA- 043..



KDA-043..

I M2

Ex dl

KDB 06ATEX 141X

Characteristic:

Lightning panel KDA-043.. is suitable to transmission visual warning and information signal in areas of explosion hazard, spaces of mechanical hazard and without secure from atmospheric influences. It is generally use in shaftsman's signalling and safety systems.

KDA-043 can signalling by:

- colour lights,
- backlighting cryptograms and others sings, words

Lightning panel are assigned for working in low voltage (to 250V AC, DC).

Accordance with standards:

Signal transmitter meet requirements of standards referenced with 94/9/WE Instruction of European Union:

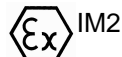
- PN-EN 60079-0: 2006(U)
- PN-EN 60079-1: 2004(U)

Using conditions.

Signal transmitter type KFS-02 is adapted for working in: underground and superficial mining's with methane or/ and carbon dust explosion hazard.

Devices guarantee high degree of protection accordance with designation:

- types compatible with Table 1



and accordance with PN-EN 60079-0: 2006(U) standard, marked with the symbol
Ex dl

Special using conditions in rooms with explosion hazard.


Lightning panel KDA-043.. marked with the symbol: ExdI can be used in non intrinsic-proof electric circuits, in methane fields of mining, in excavation impending of „a”, „b”, „c” methane explosion or „A” or „B” class impending of coaldust explosion.

Dane techniczne:

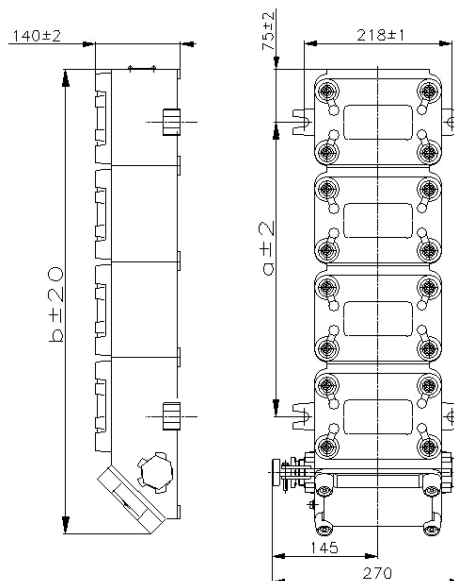
Working voltage:	250V AC
Bulb power:	15 W (maximum)
Bulb type:	tubular lamp with thread E14 (25 mm x 17 mm) regular bulb with thread E14 (diameter of bulb less then 45 mm)
Size of lightning window:	100 mm x 50 mm
Light colours:	white, blue, yellow, green, red
Degree of protection:	IP55
Clamps for connecting conduits:	to 2,5 mm ²
Ambient temperature:	-20°C to +40°C
Relative humidity:	to 95%
Position of work:	vertical
Diameter of insert cable:	Table 1
Weight:	15 kg to 51 kg

Types:

Types of KDA - 043.

Variations of KDA-043	Numbers of windows	Weight [kg]	Designation
KDA-04301	1	15	 I M2 EEExdI
KDA-04302	2	22	
KDA-04303	3	29	
KDA-04304	4	36	
KDA-04305	5	43	
KDA-04306	6	51	

Insert cable KVC-012	
Inside seal diameter Ø [mm]	Diameter of insert cable Ø [mm]
12	10 ÷ 12
16	14 ÷ 16
20	18 ÷ 20



OVERALL DIMENSIONS