

## **SUPPORT PHB-6 and PHB-6/SU**

Support PHB - 6 i PHB - 6/SU is an assembling element between traffic light type PHG or SU and traffic light mast or extension arm. Device diameter from  $\phi$  76 to  $\phi$ 130. Because of support constructional solutions is a possibility to determine installing traffic light in a 3 positions:

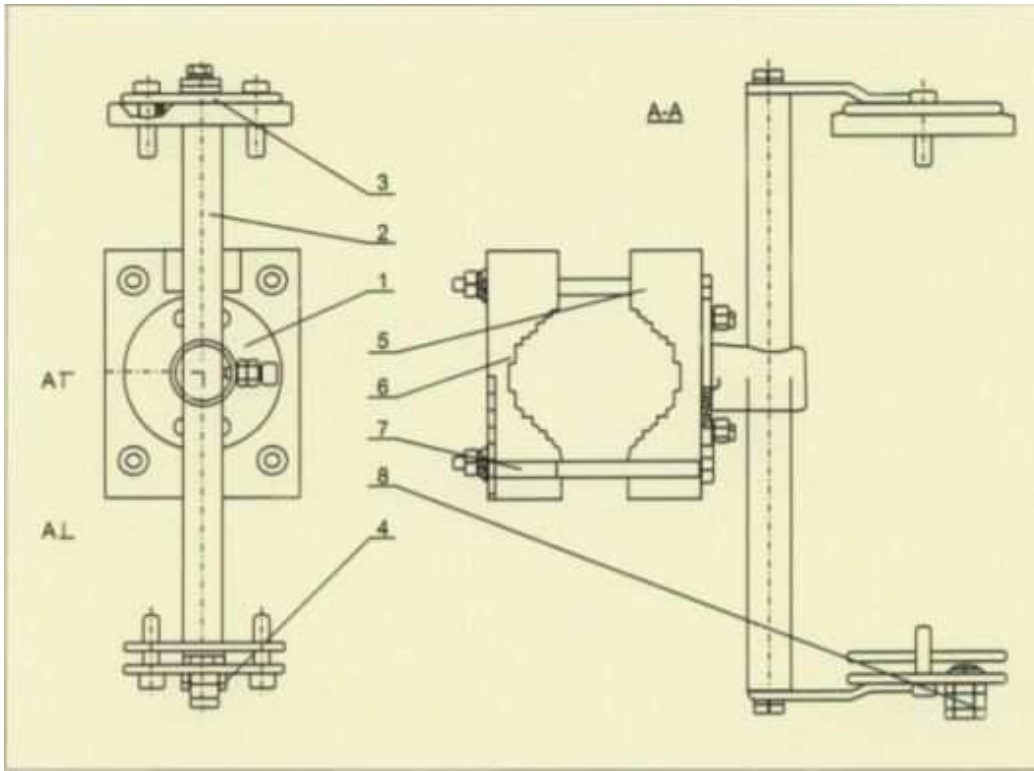
- vertical axis,
- distance from road surface,
- inclination angle between traffic light and road surface.

### **Technical data :**

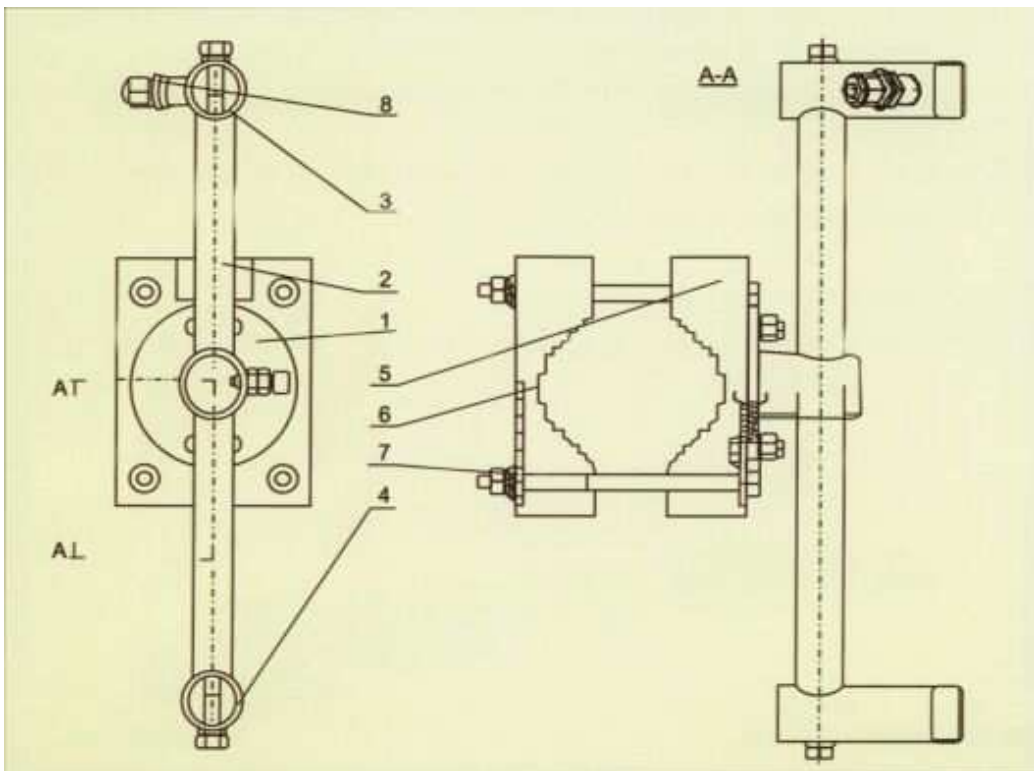
Support is made of high-quality steel with anticorrosive protection.

Standard version

Type	Traffic light type	Description
PHB - 6	PHG $\phi$ 300	1 housing 3 chambers
PHB - 612/SU	SU $\phi$ 200	1 housing 2 chambers
PHB - 613/SU	SU $\phi$ 200	1 housing 3 chambers
PHB - 622/SU	SU $\phi$ 300	1 housing 2 chambers
PHB - 623/SU	SU $\phi$ 300	1 housing 3 chambers



**PHB - 6**



**PHB - 6/SU**